

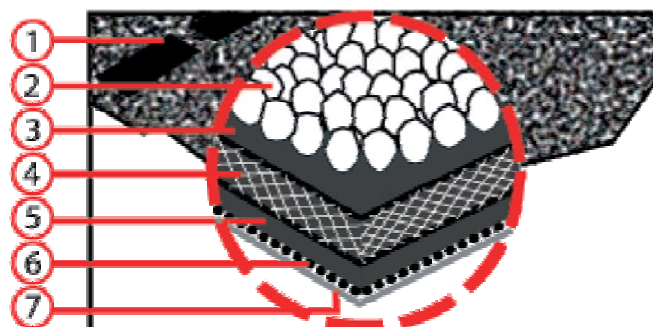
Number One Shingle



Number One Tri



- 1 Self Sealing Dots
- 2 Coloured granules
- 3 Top coating bitumen
- 4 Saturated glass mat
- 5 Back coating bitumen
- 6 Fine mineral
- 7 Anti adhesive strip

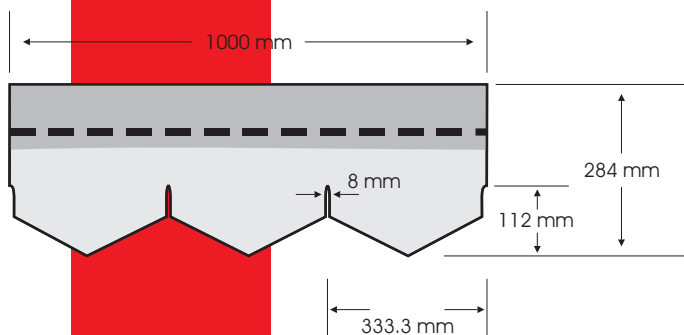


FIELD APPLICATION

Roofing material for commercial and Residential constructions with a roof pitch between 15° and 85°.

COLORS

- 97 - Brown
- 92 - Black
- 90 - Red



Length	1000 mm (+/-3)
Width	284 mm (+/-3)
Weight	9,1 kg/m ²
Coverage/bundle	3,00 m ²
Schingles/bundle	27
Bundles/palet	45

TECHNICAL INFORMATION

	<i>Tensile strength</i>		<i>Elongation</i>		<i>Nail tear</i>
	<i>Length</i>	<i>Width</i>	<i>Length</i>	<i>Width</i>	
<i>Minimum</i>	≥ 600N	≥ 400N	≥ 2,5%	≥ 2,5%	≥ 100N
<i>Average value</i>	≥ 900N	≥ 600N	≥ 3,5%	≥ 3,5%	140N
<i>Granule adhesion</i>	Max. 1,2 gr./m ²				

